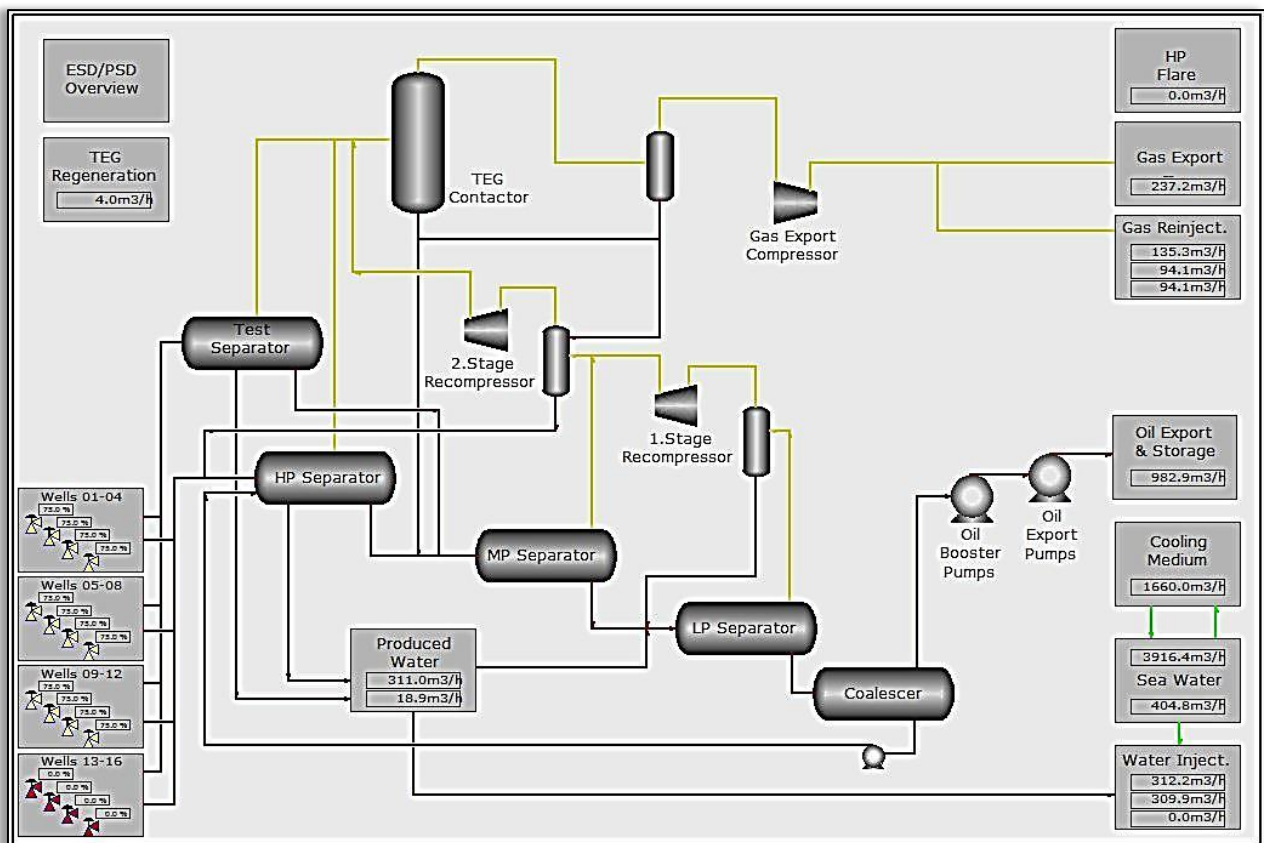




Oil & Gas Production Fundamentals

Simtech Oil & Gas Pty. Ltd.



SIMTECH OIL & GAS PTY. LTD. (SIMTECH) PROPRIETARY. This document contains SIMTECH information which is proprietary and confidential. Any disclosure, copying, distribution or use is prohibited if not otherwise explicitly agreed with SIMTECH in writing. Any authorized reproduction, in whole or in part, must include this legend. © 2016 SIMTECH – All rights reserved.

Simtech Oil & Gas Pty. Ltd.

Level 24 Allendale Square
77 St. Georges Tec. Perth
Western Australia 6000, Australia
sales@simtechoilgas.com.au

Oil & Gas Production Fundamentals

- Delivery Method:** - Instruction with Presentation (Slide and Model)
- Location:** - Webinar
- Course Title:** - **Oil & Gas Production Fundamentals**
- Language:** - English
- Duration:** - 4 hours
- Certificate:** - Course attendance certificate, stating the core learning objective of training, issued upon completion
- Prerequisites:** - Basic knowledge of gas processing, Heat & Mass Transfer, Fluid Mechanics and unit operations, along with some understanding of Thermodynamics and phase equilibria is assumed, however, no previous experience of Oil & Gas is required.
- Instructor:** - Simtech Oil & Gas appointed Instructor
- Objectives:** - The Oil & Gas Production Fundamentals interactive training course is intended to introduce the fundamental concepts of Oil & Gas Production facility. The participants will learn about process, automation, safety and facility aspects of Oil & Gas production

The key learning objectives of the course are;

- Important specifications of Gas, Condensate & Oil
- Understand the overall process of Oil and Gas production & separation
- Process instrumentation & Control Implementation
- Overpressure Protection (Relief and Flare) systems
- Operational safety design & its implementation
- Learn the concept of Integrated control in Oil & Gas separation process
- Understand how safety is designed and implemented to have safe production of export Gas & liquid HC
- Develop thorough understanding of Separation equipment, Heat transfer equipment, Pumps, Compressors and drivers
- Brief understanding of Compressor control

Who Should Attend?

The training course is designed to gain fundamental knowledge of Oil & Gas production from Well bore till sales point. This technical course is aimed at:

- Engineers (Process/Facility, Petroleum, Automation, Maintenance)
- Designers
- Operations Personnel
- Field Supervisors
- Project Managers

basically for all those involved with the selection, designing, installation, evaluation, or operation & management of Oil & Gas processing plants and related facilities.

The Schedule will: -

be divided into five sessions, timings are approximate, due to the nature of the dynamic simulator trainees may work at different paces, and this will be allowed for throughout the training course.

Session 1

Break

Session 2

Break

Session 3

Session times subject to practical exercises and course generated discussion.

No session will run longer than 75 minutes without a break.

All the sessions are interactive and trainee participation will be actively encouraged.



Schedule

Session 1

Overview of course & Basics of Oil & Gas Production

- Introduction of Course Participants
- Overview of Course
- Typical Composition of Gas, Condensate, and Crude
- Typical Oil & Gas facilities
- Bird View of LNG Process Area
- Basics of Integrated Control & Safety System

Session 2

Fundamental of offshore processing & Oil Training

- Basics of Well
- Well to Topside Facility Transport
- Process, Control & Safety aspects of Oil Train

Session 3

Fundamental of Gas Train

- Process, Control and Safety aspects of Gas Train
- Process, Control and Safety aspects of TEG Regeneration system
- Compressor Control
- Process, Control and Safety aspects of Produced Water System
- Gas and Water injection

